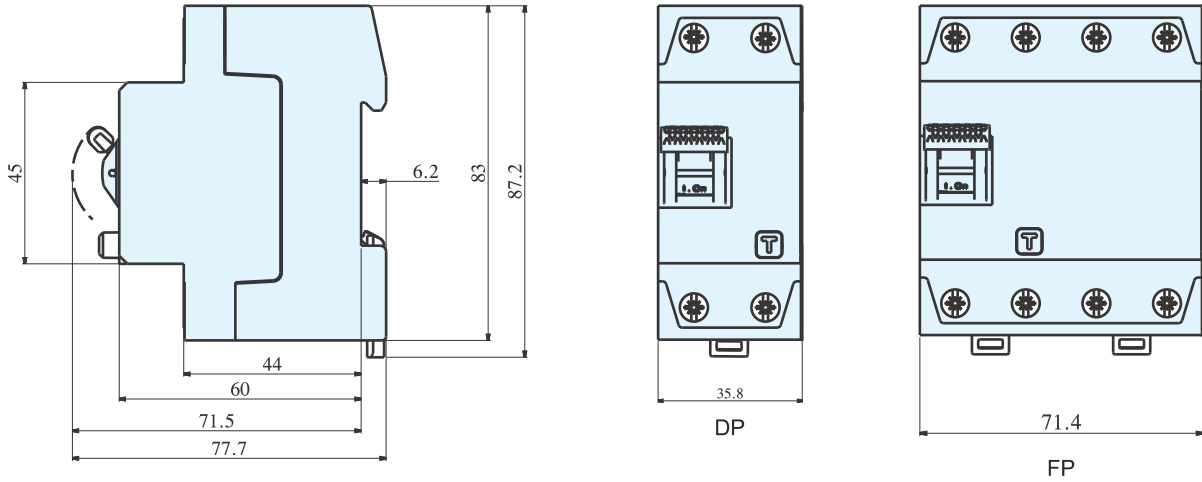


## Dimensions

### Residual Current Circuit Breaker - DP & FP



### RCD Add on Block - DP & FP

